

# GST104A

## Conventional Fire Alarm Control Panel



### Description

GST104A Conventional Fire Alarm Control Panel is designed in compliance with EN 54-2 1997 + A1: 2006 & EN 54-4 1997+A1: 2002+A2:2006 standard. It's compatible with GST conventional detectors, manual call points and sounders. The panel is easy to install and operate. Control functions are enabled by a key switch. Programming functions are enabled by a key switch and an internal switch.

### Features and Benefits

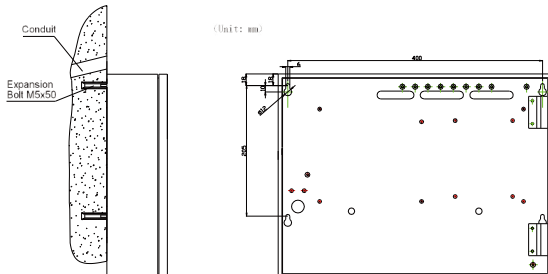
- 4 zones. Each zone can have maximum 32 conventional detectors. The total number of detectors and call points in a zone shall not exceed 32
- Each zone can be programmed work as fire alarm (default) or supervisory alarm mode
- Each zone include 2 indicators, 1st indicator is bi-color (Red and Green), factory default to indicate fire condition. Red color on in case fire signal triggered; also can be programmed to indicate supervisory condition. Green color on in case supervisory signal triggered. 2nd abmer indicator flashes when the zone is in fault condition (0.5:0.5). And it illuminates steadily when the zone is disabled or in test mode
- 1x Alarm output can be setup as 24V or N/O, N/C

- 3x sounder outputs, output 1 can be setup 24V or N/O N/C, output 2 and 3 only work as 24V output
- 1x Disable/supervisory relay output (N/O COM N/C)
- 1 x Fault output (N/O COM N/C)
- 1x Auxiliary power output: output current 450mA in standby mode and Maximum 1000mA in alarm mode when the Alarm Output been set to a normally open/close contact type
- Able to report short circuit and open circuit of detection zones, sounder outputs and alarm output
- Designed with standby batteries and space provision for two sealed lead-acid batteries
- Easy operation to enable/disable zones, sounder outputs and alarm output
- Alarm Test function selectable with or without sounder notification
- Output programmable for interlink between zones and sounder outputs, alert or evacuate tone, with or without delay
- Different Silence/Reset/Test modes can be selected to meet local requirement
- Remote controls available for silence evac and reset
- Three access levels settable via key control
- Reserved repeater panel interface for fire alarm indication of multiple zones

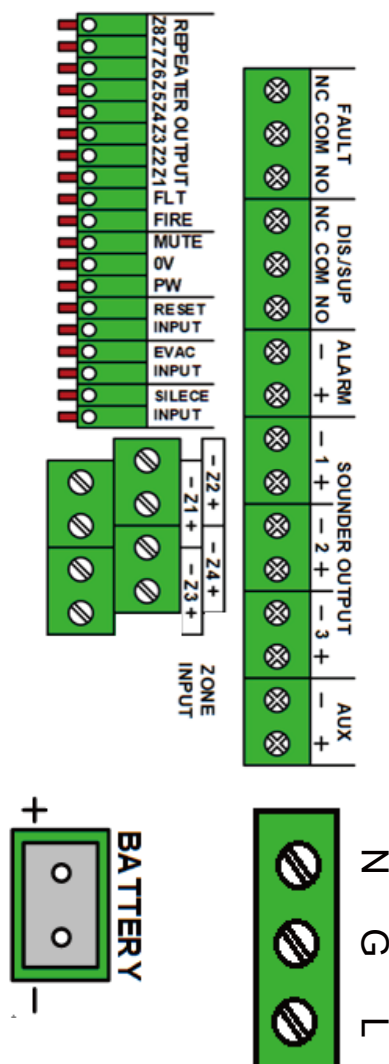
IMPORTANT: This publication is a generic version in which product information is shown for informational purposes only and does not constitute a specific commitment or guarantee. We are constantly pursuing the improvement of product technology to improve product performance, for which we reserve the right to adjust the configuration and technical information of the related products without notice. In addition, the description of system performance in this publication applies only to the usual situation. As a result, there may be a variety of unpredictable special circumstances in the real world, so the realization of the relevant product performance will depend on the professional investigation and analysis and the design plan. Please contact us and we will be happy to provide you with professional advice.

## Installation Data

GST104A FACP is wall-mount/flush-mount combined.  
The surface mounting details is shown here.



## Terminals



- FAULT (NC, COM, NO): Fault output terminal.
- DIS. / SUP. (NC, COM, NO): Disable/supervisory terminal.
- ALARM OUTPUT (-, +): Alarm output terminal.
- SOUNDER OUTPUT (1~3) (-, +): Sounder output terminals.
- AUX SUPPLY (-, +): Auxiliary power terminal.
- REPEATER OUTPUT (Z1~Z8): Output terminals of repeater panel for zone 1 to 8.
- FLT: Fault terminal for repeater panel connection.
- FIRE: Fire alarm terminal for repeater panel connection.
- MUTE: Mute terminal for repeater panel connection.
- 0V: Power supply negative terminal for repeater panel connection.
- PW ON: Reserve terminal for repeater panel connection.
- RESET INPUT: For remote operation of reset.
- EVAC INPUT: For remote operation of EVAC.
- SILENCE INPUT: For remote operation of silence.
- ZONE INPUT (1~4): Zone 1 to 4 input terminals.
- BATTERY (+, -): Battery terminals
- L, G, N: Mains input terminals

## Cable Requirement

- \* All cables should be fire rated and follow local codes.
- Zone: 1.0mm<sup>2</sup> or above 2-core cable, Maximum 1000 meters
- Sounder Output: 1.0mm<sup>2</sup> or above 2-core cable, Maximum 1000 meters
- Alarm Output: 1.0mm<sup>2</sup> or above 2-core cable, Maximum 1000 meters
- Fault Output: 1.0mm<sup>2</sup> or above 2-core cable, Maximum 1000 meters
- Remote Connections: 1.0mm<sup>2</sup> or above 2-core cable, Maximum 1000 meters
- Repeater Connections: 1.0mm<sup>2</sup> or above 2-core cable, Maximum 1000 meters

## Certificates and Compliance

- Standards: EN 54-2 1997 + A1: 2006;  
EN 54-4 1997+A1: 2002+A2:2006
- Certifications: LPCB

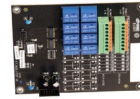
## Technical Specification

Primary Supply	220/230VAC $\begin{matrix} +10\% \\ -15\% \end{matrix}$ , 50/60Hz
Standby Power	7AH/24VDC
Maximum internal resistance of the batteries	1 $\Omega$
Zone Quantity	4
Device Capacity	32 detectors per zone
End of Line for zone	AEOL (active end of line) or EOLR (0.5Watt/4.7k $\Omega$ )
End of Line for others	EOLR (0.5Watt/4.7k $\Omega$ ) Sounder output, Alarm output
Protection	IP30
Standard	EN54-2 1997 + A1: 2006, EN 54-4 1997+A1: 2002+A2:2006
Approval	LPCB
Operating Environment	0°C ~ +40°C $\leq 95\%$ , non condensing
Dimensions	430mm(W)x320mm(H)x98mm(D)

## Compatible Devices

GST-RP16 Repeater Panel  
 DC-910xE Series Conventional Detectors  
 C-910x Series Conventional Detectors  
 DC-9204E Conventional Manual Call Point  
 C-940x Series Conventional Sounders and Strobes

## Accessories



Part No.: RB104A  
 Device name: Relay Board  
 Product No.: 20101883



Part No.: P-9907  
 Device name: Active End of Line  
 Product No.: 10102406



Part No.: DP-9907  
 Device name: Active End of Line  
 Product No.: 10103044

## Order Information

Part No.	GST104A
Device Name	Conventional Fire Alarm Control Panel
Product No.	10105777